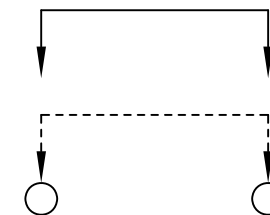
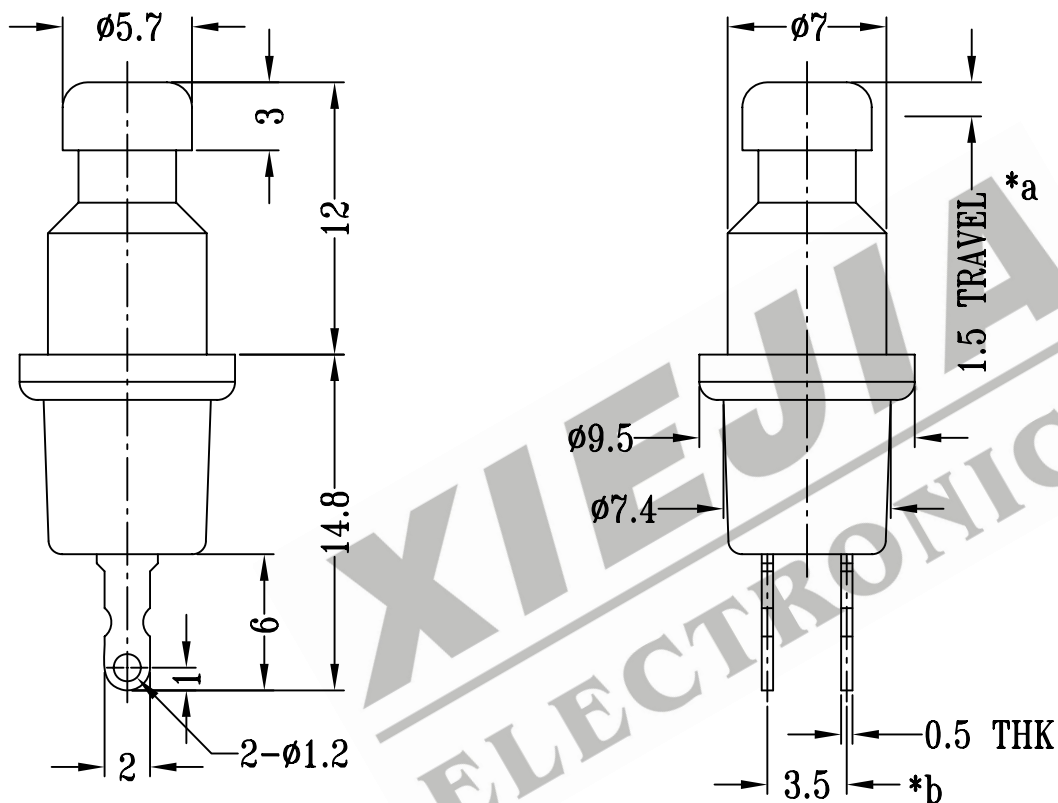
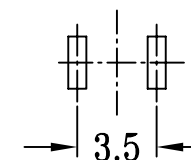


CAD FILE:



SCHEMATIC



P.C.B LAYOUT

注:带"\*"表示关键尺寸(2个)

|     |           |                 |      |                          |   |                                      |            |                            |           |            |
|-----|-----------|-----------------|------|--------------------------|---|--------------------------------------|------------|----------------------------|-----------|------------|
| 8   |           |                 |      |                          | TOLERANCE                               | SHENZHEN XIEJIA ELECTRONICS CO.,LTD. |            |                            |           |            |
| 7   |           |                 |      |                          | UNLESS SPECIFIED                        |                                      |            |                            |           |            |
| 6   | TERMINAL  | BRASS STRIP     | 2    | Ag PLATED OVER Ni PLATED | WITHIN: 1.5±0.1mm                       | ISSUE                                | DATE       | DESCRIPTIONS               |           | APPD.      |
| 5   | CASE      | PC              | 1    | BLACK                    | OVER : 1.5±0.2mm                        |                                      |            |                            |           |            |
| 4   | CONTACT   | BRASS           | 1    | Ag PLATED                | TITLE : VERTICAL PUSH SWITCH            |                                      | UNIT : MM  | DRWG NO.: XJ-DR-PB11C04-00 |           |            |
| 3   | FRAME     | BRASS           | 1    | Ni PLATED                | MODEL: PB-11C04                         |                                      | SCALE: 3:1 | DWN.                       | ZHOUYU    | 2002-12-13 |
| 2   | SPRING    | STAINLESS STEEL | 1    | TEMPER                   | ALL MATERIALS MUST BE COMPLIANT TO ROHS |                                      |            | CHK'D                      | FANGYING  | 2002-12-13 |
| 1   | KNOB      | PC              | 1    | BLACK/RED                |   |                                      |            | APPD.                      | KANGXINAN | 2002-12-13 |
| NO. | PART NAME | MATERIAL        | Q'TY | FINISHING                |   |                                      |            |                            |           |            |